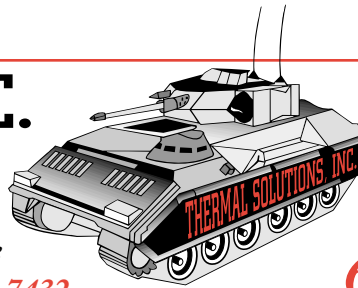


# THERMAL SOLUTIONS, INC.

Tooling for Exchangers,  
Boilers, Tube & Pipe

Sales • Rental • Service • Training • 24 Hour Service

Emergency access is available 24/7. Call: 215-906-7432



2525 Interchange Road

Lehighton, PA 18235

610-379-9581 Fax

www.tubeandpipetools.com

dave@tubeandpipetools.com

**610-379-5446**

Tools for cleaning, testing, plugging, retubing, and manufacturing of heat exchangers, chillers and boilers. Power utility to package boiler, surface condensers to lube oil coolers. Field Demonstrations available. Purchase or rentals available.

## TESTING

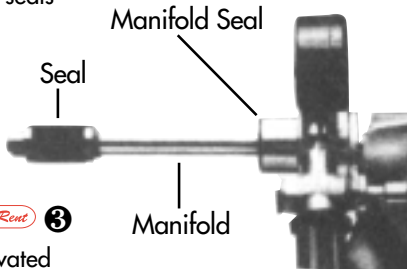
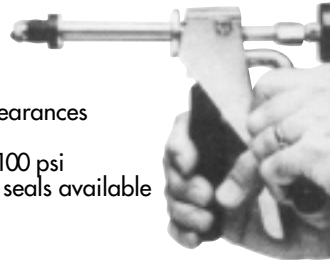


**1 Tube Tester** *Buy or Rent*

Air activated  
1/2" - 3" tubes  
Pressure test 40 - 100 psi  
Channel rods and seals

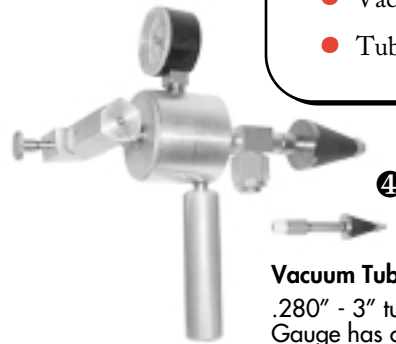
**2 Manual Tube Tester**

Fits most tight clearances  
3/8" - 3" tubes  
Pressure test 1 - 100 psi  
Channel rods & seals available



**3 Joint Tester** *Buy or Rent*

Air and hand activated  
Test tube to tube sheet joints in seconds.  
Seals on face of sheet & pulls a vacuum on joint.



**4 Vacuum Tube Tester**

.280" - 3" tubes Vacuum test tubes  
Gauge has check valve for easy testing

## HOW TO ORDER

Call **610-379-5446**  
and Specify "Testing"

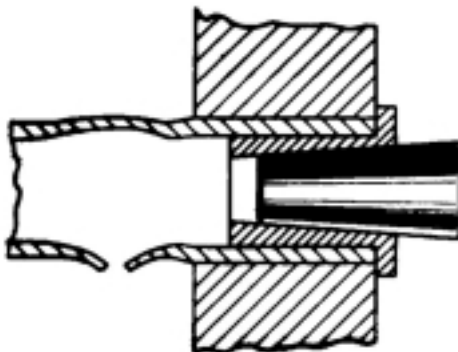
- Tube (ID, OD, Gage)
- # Tubes
- Straight or U-tube
- Vacuum or Pressure
- Tube or Joint Test

## PLUGS



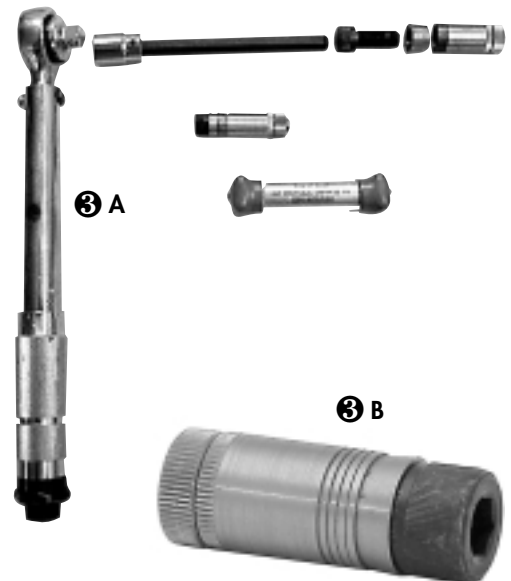
**1 Tapered Tube Plugs**

Brass, Steel, 316, 304, 416  
Aluminum, Monel, High chrome,  
rubber, Inconel, titanium, CuNi,  
Hastelloy  
Material certifications available  
upon request.



**2 The "Elliott" Plug**

Two piece tube plug  
Greater sealing area  
Less stress on tube sheet  
Available in all materials



**3 High Pressure Plugs**

Holds 6500 psi. Blind Nipple style plug. Installs by hand in seconds  
using a simple torque wrench. Install through the tube on solid drive rod.