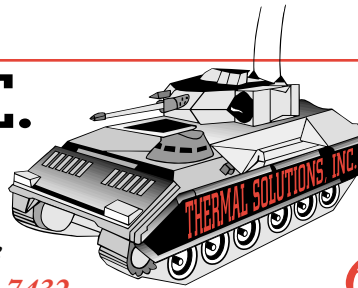


# THERMAL SOLUTIONS, INC.

Tooling for Exchangers,  
Boilers, Tube & Pipe

Sales • Rental • Service • Training • 24 Hour Service

Emergency access is available 24/7. Call: 215-906-7432



2525 Interchange Road

Lehigh, PA 18235

610-379-9581 Fax

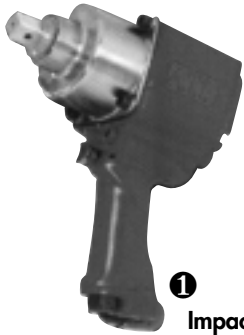
www.tubeandpipetools.com

dave@tubeandpipetools.com

**610-379-5446**

ATP professional tools feature alloy steel hammer cases that are machined from solid bar not drawn or cast. The model number is stamped in the motor housing under the name plate for permanent identification. There is a high power to weight ratio, plus 100% parts interchangeability to the equivalent tool. Your replacement parts inventory will work for any tool you purchase. 100% American Made.

## GUNS



① Impact Wrench



② Impact Wrench

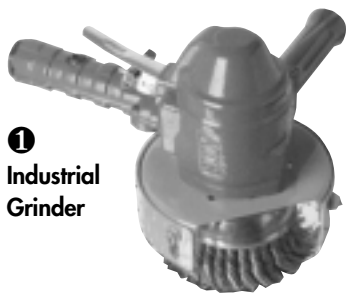


③ Chipping Gun



④ Air Drill

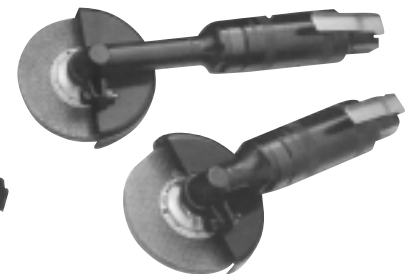
## GRINDERS



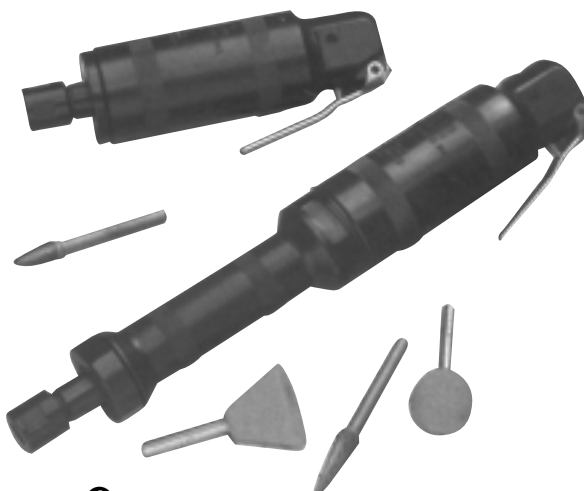
① Industrial Grinder



② Industrial Grinder



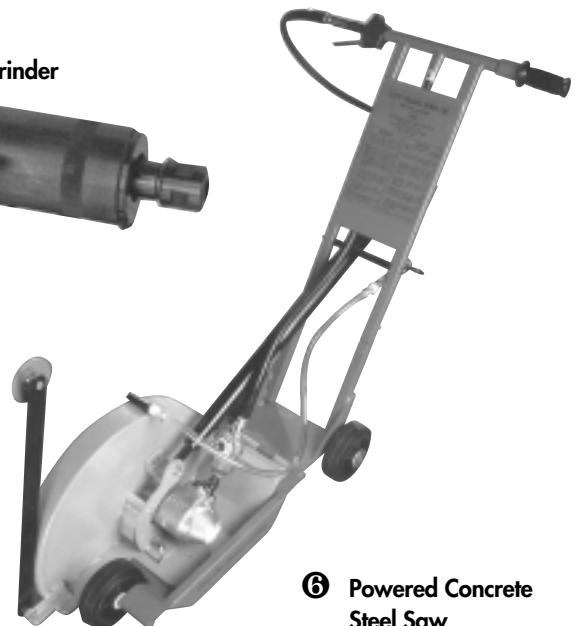
③ Angle Grinder



④ Die Grinder



⑤ Die Grinder



⑥ Powered Concrete Steel Saw